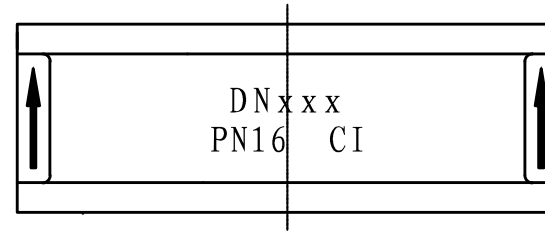
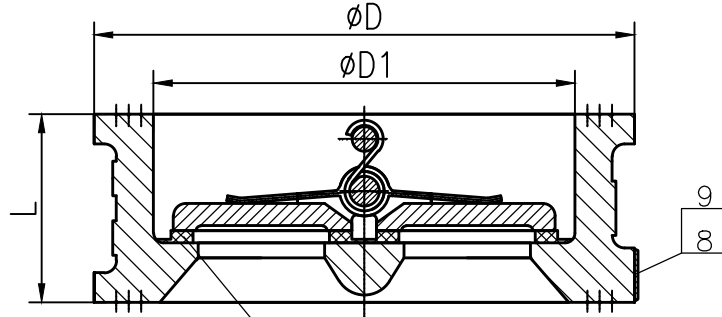


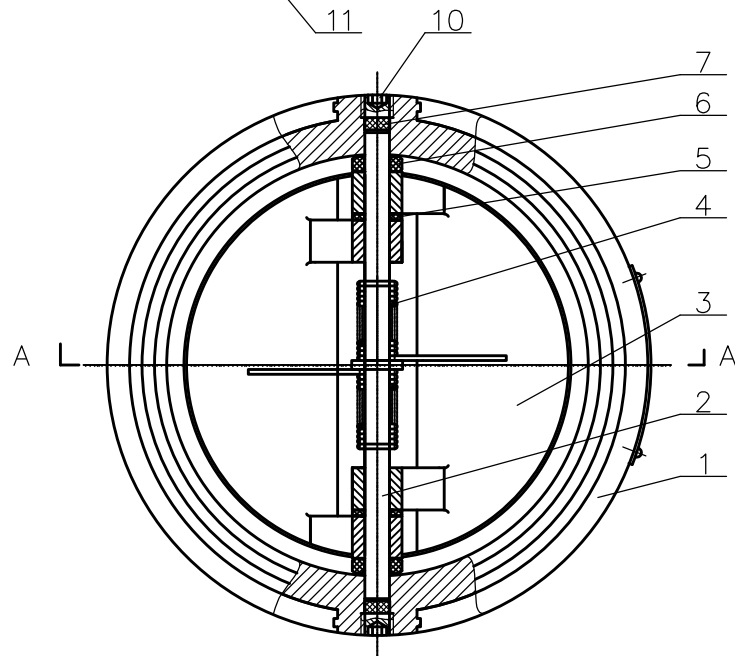
9I-XI1D 007-09

A-A



Performance specification sheet

Nominal pressure	1.6	MPa
strength test	2.4	
Seal test	1.76	
Air tight test	0.6	
Applicable temperature	-10~120	°C
Applicable medium: Water, air,oil,etc.		



Technical Requirements:

- 1.Design and manufacture according to JB/T 8937-2010.
- 2.Face to face according to JB/T 8937-2010.
- 3.Pressure test according to GB/T13927-2008.

SIZE

mm	inch	D	D1	L
50	2"	107	65	43
65	2.5"	127	80	46
80	3"	142	94	64
100	4"	162	117	64
125	5"	192	145	70
150	6"	218	170	76
200	8"	273	224	89



No.	Name	QTY	Material
11	seat	2	NBR/EPDM
10	set screw	4	35/SS304
9	nameplate	1	SS304
8	rivet	2	AL
7	Stem seal gasket	4	NBR/EPDM
6	Butterfly plate washer	2	PTFE
5	washer	3	PTFE
4	spring	2	1Cr18Ni9Ti
3	disc	2	CF8
2	stem	2	SS416
1	body	1	CI

				Assemble Drawing			
Mark	No.	Change File No.	sign	Date			Butterfly Check Valve
Designer		Standardization			Drawing Mark	Weight	
Auditor		Approved by			Total Pages	Total Pages	DN50-200 DH77X-16