



Application

- Can be used to transfer clean water or other liquids similar to water in physical and chemical properties
- Suitable for lifting water from the well, sprinkling irrigation in garden, pressure boosting of running water, and supporting equipment etc.

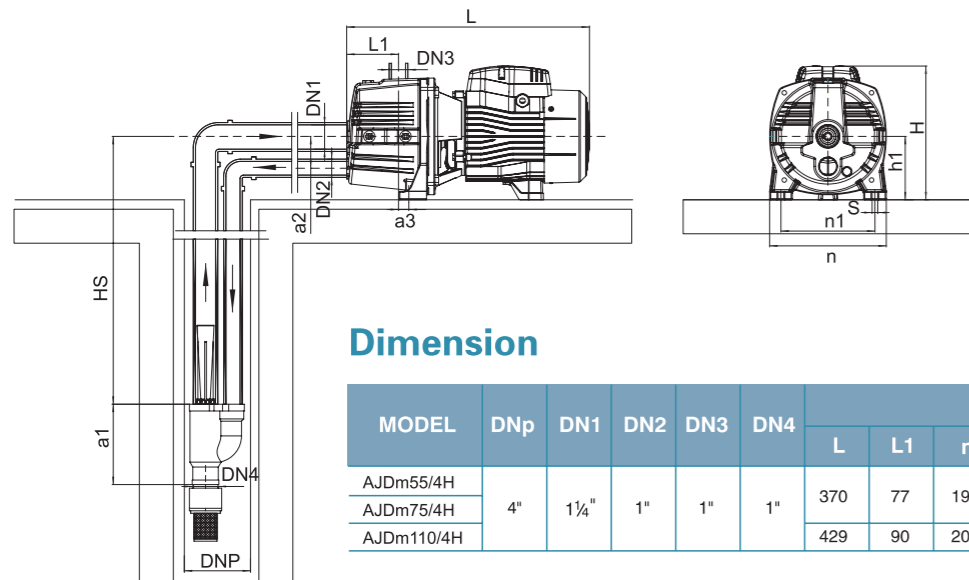
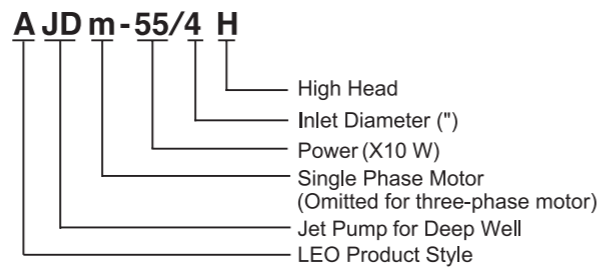
Pump

- Cast iron pump body and support under special anti-rust treatment
- Stainless steel impeller
- AISI 304 shaft
- Max. liquid temperature: +40°C
- Max. suction: +40 m

Motor

- C&U bearing
- Motor with copper winding
- Built-in thermal protector for single phase motor
- Insulation class: F
- Protection class: IPX4
- Max. ambient temperature: +40°C

Identification Code



Dimension

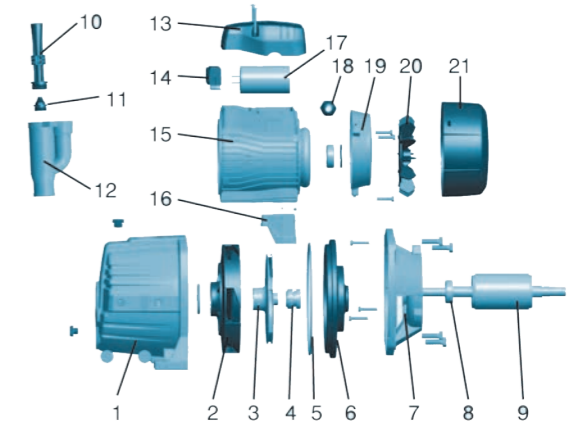
MODEL	DNp	DN1	DN2	DN3	DN4	DIMENSIONS (mm)									
						L	L1	n	n1	H	h1	a1	a2	a3	S
AJDm55/4H						370	77	190	150	212	100	160	53	17	10
AJDm75/4H	4"	1 1/4"	1"	1"	1"	429	90	206	166	236	112			12	
AJDm110/4H															

Technical Data

MODEL	POWER (kW) (HP)	HS (m)	Q (l/min)	H (m)																					
				0	2	4	6	8	10	12	14	16	18	20	22	24	26	28	30	32	34				
AJDm55/4H	0.55	0.75	15	39	35	33	29	27	25	23	21	19	17	15	14	13	-	-	-	-					
AJDm75/4H	0.75	1		50	46	43	40	37	34	32	30	28	26	24	22	20	19	18	17	-	-				
AJDm110/4H	1.1	1.5		75	70	66	62	58	55	52	49	47	45	43	41	39	37	35	33	31	29				
AJDm55/4H	0.55	0.75		20	32	28	25	23	21	19	17	15	13	-	-	-	-	-	-	-	-				
AJDm75/4H	0.75	1			42	39	36	33	30	27	25	23	21	20	18	17	-	-	-	-	-	-			
AJDm110/4H	1.1	1.5			67	62	58	54	51	48	45	43	41	39	37	35	33	31	29	27	-	-			
AJDm55/4H	0.55	0.75			25	25	21	18	16	14	12	-	-	-	-	-	-	-	-	-	-	-			
AJDm75/4H	0.75	1				35	32	29	26	23	21	19	17	-	-	-	-	-	-	-	-	-	-		
AJDm110/4H	1.1	1.5				59	54	50	47	44	41	38	36	34	32	30	28	-	-	-	-	-	-		
AJDm55/4H	0.55	0.75				30	18	15	12	-	-	-	-	-	-	-	-	-	-	-	-	-	-		
AJDm75/4H	0.75	1					28	25	22	19	17	-	-	-	-	-	-	-	-	-	-	-	-	-	
AJDm110/4H	1.1	1.5					51	47	43	40	37	34	32	30	28	-	-	-	-	-	-	-	-	-	
AJDm75/4H	0.75	1					35	21	18	16	-	-	-	-	-	-	-	-	-	-	-	-	-	-	
AJDm110/4H	1.1	1.5						44	40	36	33	30	27	-	-	-	-	-	-	-	-	-	-	-	-
AJDm110/4H	1.1	1.5						40	37	33	30	27	-	-	-	-	-	-	-	-	-	-	-	-	-

Materials Table

No.	Part	Material	No.	Part	Material
1	Pump body	HT200	12	Ejector	HT200
2	Diffuser	PPO	13	Terminal box	ABS
3	Impeller	Stainless steel	14	Terminal board	PC
4	Mechanical seal	Carbon/Ceramic	15	Stator	
5	O-ring	NBR	16	Motor foot	PA6
6	Support cover	AISI 304/HT200	17	Capacitor	
7	Support	ZL102	18	Cable holder	
8	Bearing		19	Rear cover	ZL102
9	Rotor		20	Fan	PP
10	Venturi tube	PPO	21	Fan cover	PP
11	Nozzle	PPO			



Package Information

MODEL	WG (kgs)	L (mm)	W (mm)	H (mm)	Quantity (PCS/20 TEU)
AJDm55/4H	16.65	500	215	240	1053
AJDm75/4H	17.9	500	215	240	1053
AJDm110/4H	23.25	585	230	265	728

