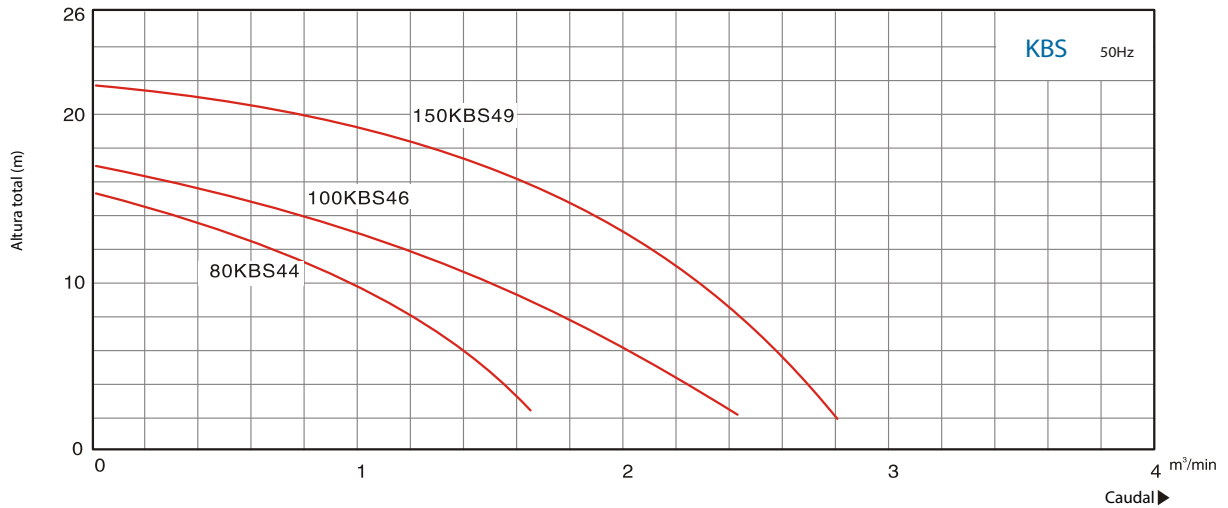
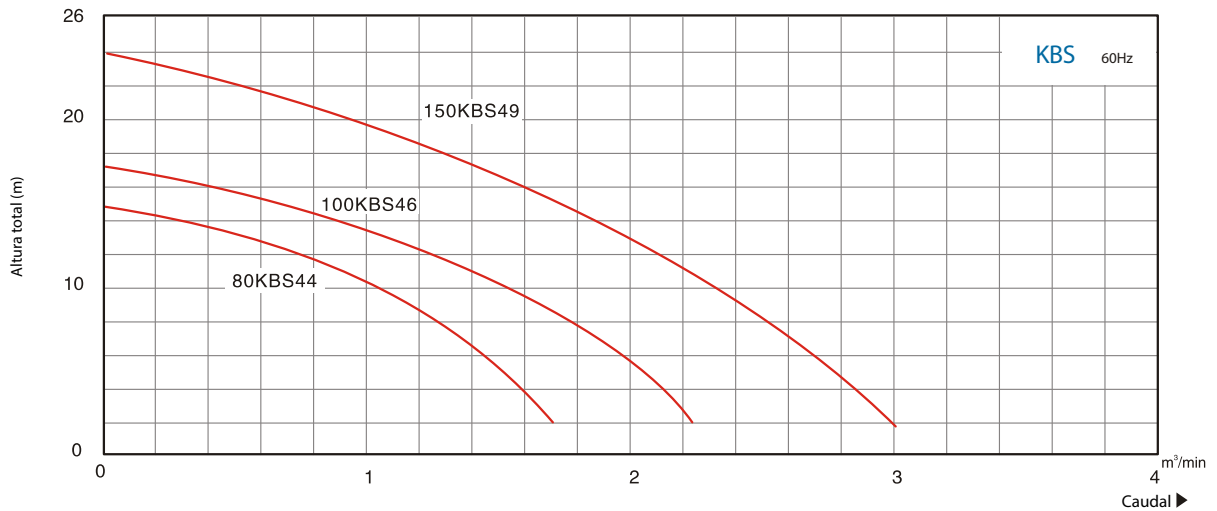


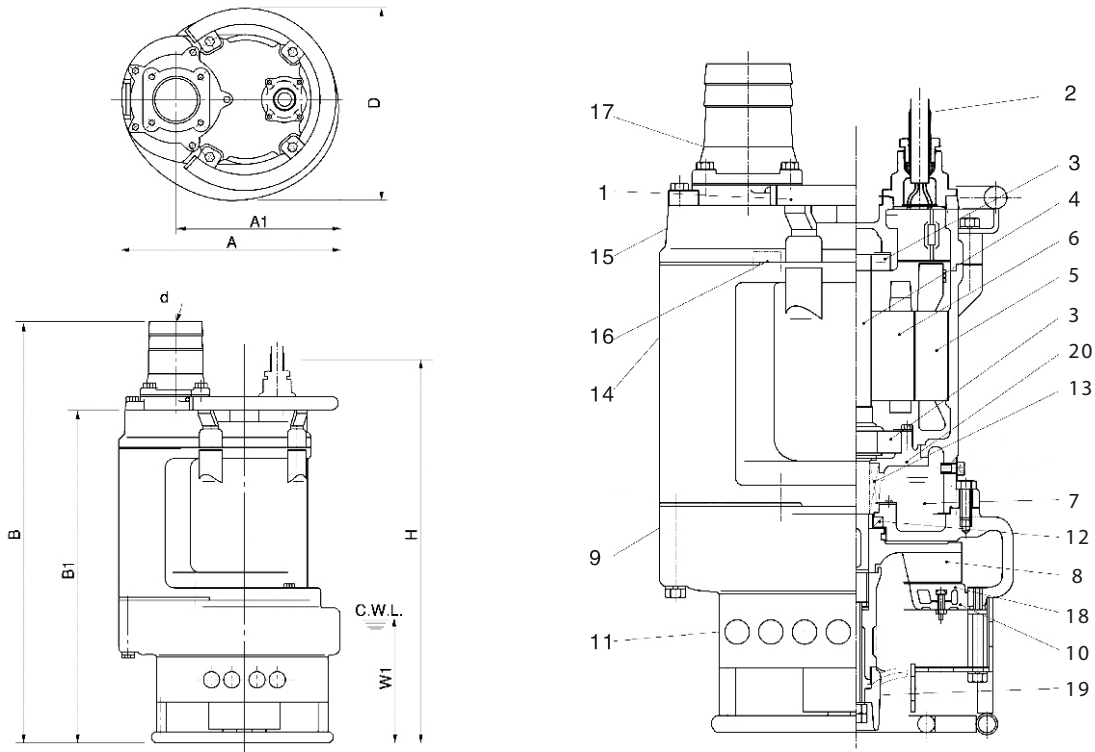
## Curvas de operación 50 Hz n~ 1450 rpm



## Curvas de operación 60 Hz n~ 1800 rpm



Modelo	Outlet	Motor power Kw	Max head m		Max capacity m³/min		Impeller passage mm	N.W Kg	G.W Kg	Packing dimension mm
	mm		50Hz	60Hz	50Hz	60Hz				
80KBS44	80	4	14.8	14.5	1.65	1.70	30	105	113	830X415X470
100KBS46	100	6	16.9	16.5	2.50	2.35	30	145	156	915X475X520
150KBS49	150	9	21.5	23.5	2.85	2.90	30	170	184	935X500X555



ItemNo.	Part name	Material	Item No.	Part name	Material
1	Handle	Steel	11	Filter	Steel
2	Cable	2PNCT-F	12	Oilseal bracket	
3	Bearing	Ball bearing	13	Mechanical seal	Sic-Sic/ Sic-Sic
4	Shaft	AISI420SS	14	Motor body	Cast iron
5	Rotor		15	Upper cover	Cast iron
6	Stator		16	Motor protector	
7	Lube oil		17	Hose coupling	Cast iron
8	Impeller	Chromium iron casting	18	Suction plate	Chromium iron casting
9	Pump body	Cast iron	19	Agitator	Chromium iron casting
10	End plate	Cast iron	20	Bearing house	Cast iron

Modelo	d	A	A1	B	B1	D	H	W1
80KBS44	80	350	260	765	666	326	730	250
100KBS46	100	415	305	848	688	373	730	250
150KBS49	150	434	324	869	709	407	776	250

W1=continuous ruijing water level